

WOLF BUILDERS MARK™

SONOMA*



**STYLE
NO LONGER
AVAILABLE**

SONOMA FEATURES:

- Flat Panel Door / Slab Drawer
- Standard Overlay
- Maple (stained) or MDF (painted) doors and drawer fronts
- Solid wood face frame
- ½" furniture board sides
- Furniture board drawer box
- Side-mount drawer glides with partial extension
- Hinges: concealed, 6-way adjustable
- ½" furniture board shelves

**STYLE
NO LONGER
AVAILABLE**

SONOMA COLORS:



**STYLE
NO LONGER
AVAILABLE**



ESPRESSO STAIN GRAPHITE STAIN
HAZE PAINT WHITE PAINT

*The Sonoma line is NOT a direct replacement for the former Sierra line.

WOLF BUILDERS MARK™ VERO SERIES

SLOANE AND SHEA



SLOANE AND SHEA FEATURES:

- Flat Panel Door / Slab Drawer
- Standard Overlay
- Laminate (Shea Smartshield) or Birch (Sloane Stain) doors and drawer fronts
- Hardwood face frame
- ¾" furniture board sides and bottom, ¼" furniture board back
- Stapled, furniture board drawer box
- Side-mount drawer glides with partial extension
- Hinges: concealed, 6-way adjustable
- ½" furniture board shelves

SLOANE AND SHEA COLORS:



SLOANE MOCHA STAIN SHEA CINDER SMARTSHIELD SHEA PEARL SMARTSHIELD

KITCHEN KOMPACT

KITCHEN KOMPACT

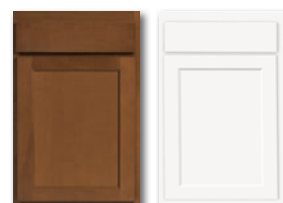


Available in most, but not all areas.

KITCHEN KOMPACT FEATURES:

- Flat Panel Door / Slab Drawer
- Standard Overlay
- Hardwood doors and drawer fronts
- Hardwood face frame
- ½"engineered wood sides with veneered end panels, ¼" hardboard back, ¾" hardboard bottom
- Stapled, plywood drawer box
- Side-mount drawer glides with full extension
- Concealed, 6-way adjustable hinges
- Soft Close Doors
- ½" engineered wood shelves

KITCHEN KOMPACT COLORS:



GLENWOOD STAIN WHITE PAINT



STANDARD VS FULL OVERLAY

Standard overlay (face frame) cabinets are made to show the frame of the cabinet around the door and drawers—for a more traditional look.

Full overlay (frame less) cabinets show very little of the cabinet frame. Instead the door and drawers cover the cabinet face—creating a seamless appearance for a more modern look.

Note: Actual cabinet colors may vary from shown due to differences in wood grain, stain, paint and viewing medium.

PICK YOUR STYLE 1

PICK YOUR COLOR 2
COLOR ONLY AVAILABLE IN THE STYLE SHOWN

WOLF CLASSIC™
INSIGHT SERIES

WOLF CLASSIC™
IMPACT SERIES

HANOVER AND GRANTLEY



HANOVER AND GRANTLEY FEATURES:

- Flat Panel Door / Slab Drawer
- Standard Overlay
- Maple with veneer center (stained) or HDF with MDF center (painted) doors and maple (stained) or HDF (painted) drawer fronts
- Hardwood face frame
- ½" plywood cabinet box
- Dovetailed, solid wood drawer box
- Under-mount drawer glides with full extension
- Concealed, 6-way adjustable hinges
- Soft Close Doors and Drawers
- ¾" plywood shelves

HANOVER AND GRANTLEY COLORS:



HANOVER
GREY STAIN

GRANTLEY WHITE
SMARTSHIELD

HDF - High Density Furniture Board
MDF - Medium Density Furniture Board

WOLF CLASSIC™ INSIGHT SERIES

DARTMOUTH



DARTMOUTH FEATURES:

- Shaker Door / Slab Drawer
- Full overlay
- Maple with veneer center (stained) or HDF with MDF center (painted) doors and maple (stained) or HDF (painted) drawer fronts
- ½" plywood cabinet box
- Dovetailed, solid wood drawer box
- Under-mount drawer glides with full extension
- Concealed, 6-way adjustable hinges
- Soft Close Doors and Drawers
- ¾" plywood shelves

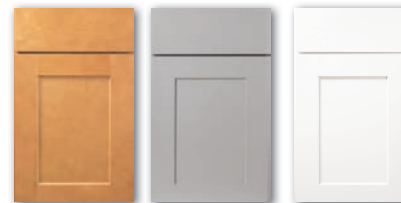
DARTMOUTH COLORS:



DARK SABLE
STAIN

BROWNSTONE
STAIN

GREY
STAIN



HONEY
STAIN

PEWTER
PAINT

WHITE
PAINT

Note: Actual cabinet colors may vary from shown due to differences in wood grain, stain, paint and viewing medium.

WOLF CLASSIC™ INSIGHT SERIES

DARTMOUTH 5-PIECE



DARTMOUTH 5-PIECE FEATURES:

- Shaker Door / 5-Piece Shaker Drawer
- Full Overlay
- Maple with veneer center (stained) or HDF with MDF center (painted) doors and drawer fronts
- ½" plywood cabinet box
- Dovetailed, solid wood drawer box
- Under-mount drawer glides with full extension
- Concealed, 6-way adjustable hinges
- Soft Close Doors and Drawers
- ¾" plywood shelves

DARTMOUTH 5-PIECE COLORS:



GREY
STAIN

PEWTER
PAINT

WHITE
PAINT



1 PICK YOUR STYLE

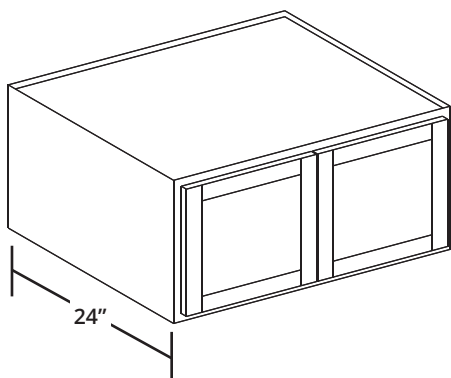
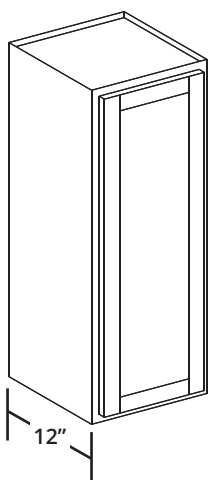
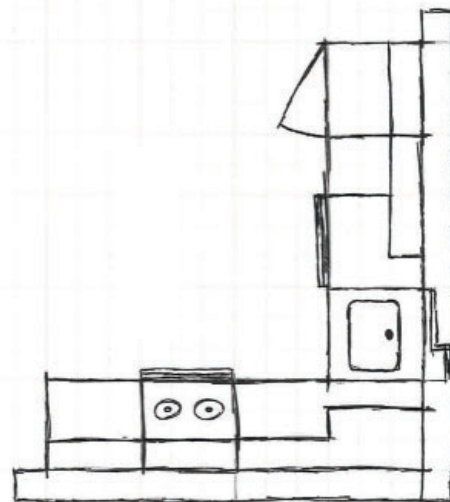
2 PICK YOUR COLOR
COLOR ONLY AVAILABLE IN THE STYLE SHOWN

3 SELECT YOUR CABINET BOXES

Once you have chosen the cabinet style and color, it's time to measure and select the cabinets that will best fit together to create the perfect kitchen or bathroom to increase your property's value.

Our Chadwell Supply Territory Managers or Renovations Specialists can help. Call your local representative or our Renovations Department to arrange for someone to come measure and work together to layout your space.

Note: The cabinet line drawings that follow are only a representation for all cabinets. The cabinet style picked in Step 1 will determine the actual look of the door. Please note that some of these cabinets are not available in all styles. Our team will help you with your plan.



KITCHEN WALL CABINETS

SINGLE DOOR WALL CABINETS - 12" DEEP

Width	Height	Part Number	Description
9"	30"	W0930	Single Door Wall Cabinet
12"		W1230	Single Door Wall Cabinet
15"		W1530	Single Door Wall Cabinet
18"		W1830	Single Door Wall Cabinet
21"		W2130	Single Door Wall Cabinet
9"	36"	W0936	Single Door Wall Cabinet
12"		W1236	Single Door Wall Cabinet
15"		W1536	Single Door Wall Cabinet
18"		W1836	Single Door Wall Cabinet
21"		W2136	Single Door Wall Cabinet
9"	42"	W0942	Single Door Wall Cabinet
12"		W1242	Single Door Wall Cabinet
15"		W1542	Single Door Wall Cabinet
18"		W1842	Single Door Wall Cabinet
21"		W2142	Single Door Wall Cabinet

DOUBLE DOOR WALL CABINETS - 24" DEEP (Typically used over the refrigerator)

Width	Height	Part Number	Description
33"	12"	RW3312	Double Door Wall Cabinet
	24"	RW3324	Double Door Wall Cabinet
36"	12"	RW3612	Double Door Wall Cabinet
	18"	RW3618	Double Door Wall Cabinet
	24"	RW3624	Double Door Wall Cabinet
39"	12"	RW3912	Double Door Wall Cabinet
	18"	RW3918	Double Door Wall Cabinet
	24"	RW3924	Double Door Wall Cabinet

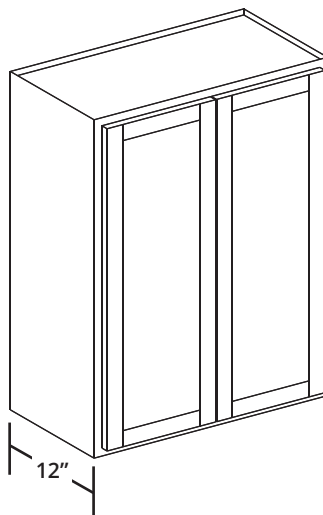
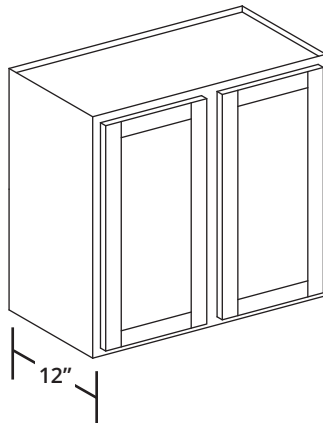
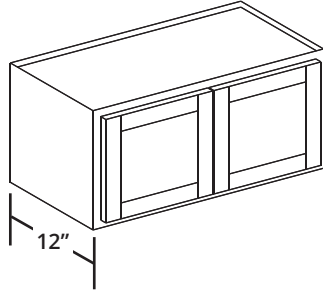
New!



3 SELECT YOUR CABINET BOXES

KITCHEN WALL CABINETS

DOUBLE DOOR WALL CABINETS - 12" DEEP

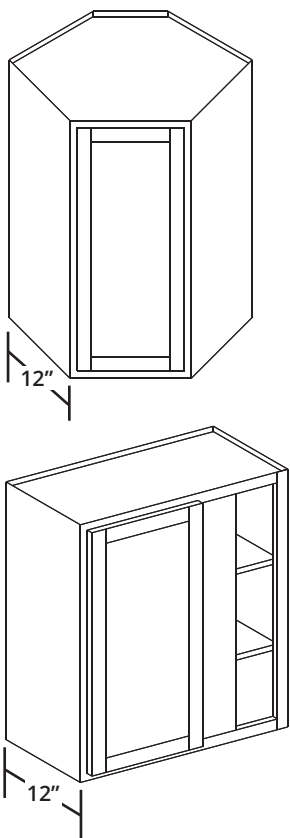


Width	Height	Part Number	Description
30"	12"	W3012	Double Door Wall Cabinet
33"		W3312	Double Door Wall Cabinet
36"		W3612	Double Door Wall Cabinet
39"		W3912	Double Door Wall Cabinet
24"	15"	W2415	Double Door Wall Cabinet
30"		W3015	Double Door Wall Cabinet
33"		W3315	Double Door Wall Cabinet
36"		W3615	Double Door Wall Cabinet
24"	18"	W2418	Double Door Wall Cabinet
30"		W3018	Double Door Wall Cabinet
33"		W3318	Double Door Wall Cabinet
36"		W3618	Double Door Wall Cabinet
39"		W3918	Double Door Wall Cabinet
24"	24"	W2424	Double Door Wall Cabinet
27"		W2724	Double Door Wall Cabinet
30"		W3024	Double Door Wall Cabinet
33"		W3324	Double Door Wall Cabinet
36"		W3624	Double Door Wall Cabinet
39"		W3924	Double Door Wall Cabinet
Kitchen Kompact style not available in 24" height.			
24"	30"	W2430	Double Door Wall Cabinet
27"		W2730	Double Door Wall Cabinet
30"		W3030	Double Door Wall Cabinet
33"		W3330	Double Door Wall Cabinet
36"		W3630	Double Door Wall Cabinet
39"		W3930	Double Door Wall Cabinet
42"	W4230	Double Door Wall Cabinet	
24"	36"	W2436	Double Door Wall Cabinet
27"		W2736	Double Door Wall Cabinet
30"		W3036	Double Door Wall Cabinet
33"		W3336	Double Door Wall Cabinet
36"		W3636	Double Door Wall Cabinet
39"		W3936	Double Door Wall Cabinet
42"	W4236	Double Door Wall Cabinet	
24"	42"	W2442	Double Door Wall Cabinet
27"		W2742	Double Door Wall Cabinet
30"		W3042	Double Door Wall Cabinet
33"		W3342	Double Door Wall Cabinet
36"		W3642	Double Door Wall Cabinet
39"		W3942	Double Door Wall Cabinet
42"	W4242	Double Door Wall Cabinet	

New!



3 SELECT YOUR CABINET BOXES



KITCHEN WALL CABINETS

DIAGONAL WALL CABINETS - 12" SIDE DEPTH (used in corners)

Width	Height	Part Number	Description
24"	30"	WDC2430	Diagonal Wall Cabinet
	36"	WDC2436	Diagonal Wall Cabinet
	42"	WDC2442	Diagonal Wall Cabinet
27"	36"	WDC2736	Diagonal Wall Cabinet
	42"	WDC2742	Diagonal Wall Cabinet

BLIND CORNER WALL CABINETS - 12" DEEP

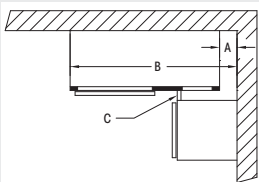
Width	Height	Part Number	Description
24"	30"	WC2430	Blind Corner Cabinet
30"		WC3030	Blind Corner Cabinet
36"		WC3630	Blind Corner Cabinet
42"		WC4230	Blind Corner Cabinet
30"	36"	WC3036	Blind Corner Cabinet
36"		WC3636	Blind Corner Cabinet
42"		WC4236	Blind Corner Cabinet
30"	42"	WC3042	Blind Corner Cabinet
36"		WC3642	Blind Corner Cabinet
42"		WC4242	Blind Corner Cabinet

Max Pull is 3". See Measurement Specifications. Filler Not Included.

BLIND CORNER CABINET SPECIFICATIONS

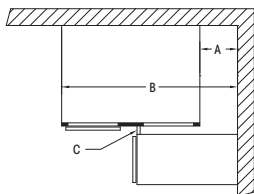
Blind cabinets have a minimum and maximum "pull" (A) depending on the cabinet style. This is the space the cabinet is "pulled" away from the adjacent wall. The pull space is necessary to keep adjacent doors and/or drawers from hitting into each other. Typically filler pieces (C) will also need to be installed between the blind cabinet and the adjacent cabinet to further prevent doors and drawers from hitting the other cabinet or any knobs/handles that stick out.

WALL CABINET MEASUREMENT SPECIFICATIONS



SKU	Cabinet Width	Blind Opening	Center Stile	A			B			C 7/8 Hardware
				Minimum		Maximum	Minimum		Maximum	
				SO	FO		SO	FO		
WC24_	23"	6"	6"	3/4"	1 1/2"	4 1/2"	23 3/4"	24 1/2"	27 1/2"	1 3/4"
WC30_	29"						29 3/4"	30 1/2"	33 1/2"	
WC42_	41"						41 3/4"	42 1/2"	45 1/2"	

BASE CABINET MEASUREMENT SPECIFICATIONS



SKU	Cabinet Width	Blind Opening	Center Stile	A			B			C 7/8 Hardware
				Minimum		Maximum	Minimum		Maximum	
				SO	FO		SO	FO		
BC36	27"	9"	6"	9 3/4"	10 1/2"	13 1/2"	36 3/4"	37 1/2"	40 1/2"	1 3/4"
BC42	36"	13 1/2"		5 1/4"	6"	9"	41 1/4"	42"	45"	
BC48	48"	19 1/2"		0"	0"	3"	48"	48"	51"	

A = Pull distance from wall
B = Cabinet distance from wall
C = Minimum filler width

SO = Standard Overlay (Hanover, Saginaw, Somerset)
FO = Full Overlay (Berwyn, Dartmouth, Hudson, York)

Minimum filler width requirement (C) based on 7/8" high hardware

Note: Blind openings are right side: door and drawer can be reversed during installation for left blind application.

New!

PARTS

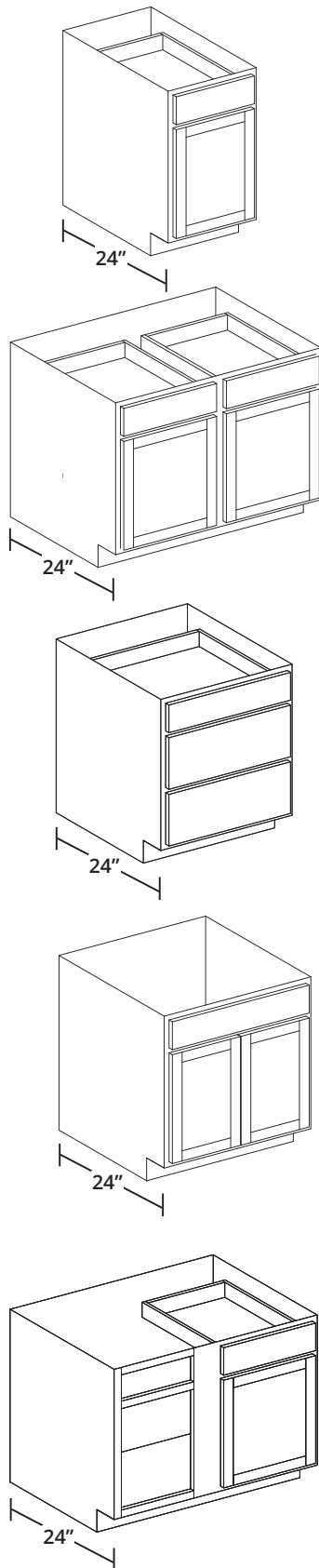


PARTS



3 SELECT YOUR CABINET BOXES

KITCHEN BASE CABINETS



SINGLE DOOR BASE CABINETS - 24" DEEP

Width	Height	Part Number	Description
9"	34.5"	B09	Single Door Base Cabinets
12"		B12	Single Door Base Cabinets
15"		B15	Single Door Base Cabinets
18"		B18	Single Door Base Cabinets
21"		B21	Single Door Base Cabinets

DOUBLE DOOR BASE CABINETS - 24" DEEP

Width	Height	Part Number	Description
24"	34.5"	B24	Double Door Base Cabinets
27"		B27	Double Door Base Cabinets
30"		B30	Double Door Base Cabinets
33"		B33	Double Door Base Cabinets
36"		B36	Double Door Base Cabinets
39"		B39	Double Door Base Cabinets
42"		B42	Double Door Base Cabinets

DRAWER BASE CABINETS - 24" DEEP

Width	Height	Part Number	Description
12"	34.5"	DB12	Drawer Base Cabinets
15"		DB15	Drawer Base Cabinets
18"		DB18	Drawer Base Cabinets
21"		DB21	Drawer Base Cabinets
24"		DB24	Drawer Base Cabinets
30"		DB30	Drawer Base Cabinets
36"		DB36	Drawer Base Cabinets

SINK BASE CABINETS (NO DRAWER) - 24" DEEP

Width	Height	Part Number	Description
24"	34.5"	SB24	Sink Base Cabinets
27"		SB27	Sink Base Cabinets
30"		SB30	Sink Base Cabinets
33"		SB33	Sink Base Cabinets
36"		SB36	Sink Base Cabinets
39"		SB39	Sink Base Cabinets
42"		SB42	Sink Base Cabinets
36"		SCB36	*Corner Sink Base

*Item NOT pictured

BLIND CORNER BASE CABINETS - 24" DEEP

Width	Height	Part Number	Description
36"	34.5"	BC36	Blind Corner Base Cabinets
39"		BC39	Blind Corner Base Cabinets
42"		BC42	Blind Corner Base Cabinets
48"		BC48	Blind Corner Base Cabinets

Max Pull is 3". See Measurement Specifications. Filler Not Included.

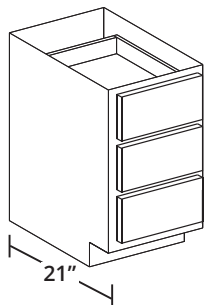
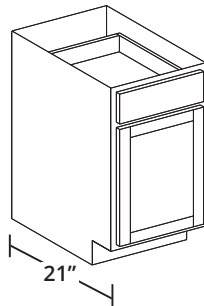
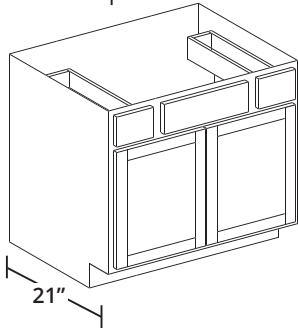
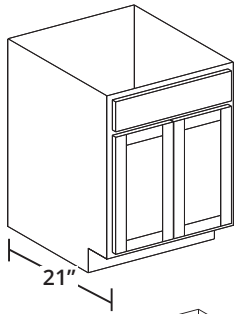
LAZY SUSAN CORNER BASE CABINETS - 24" DEEP (Item NOT pictured)

Width	Height	Part Number	Description
36"	34.5"	BLS3612	Lazy Susan Corner Base Cabinets

New!



3 SELECT YOUR CABINET BOXES



VANITY CABINETS

2 DOOR VANITY SINK BASE CABINETS (NO DRAWER) - 21" DEEP

Width	Height	Part Number	Description
24"	34.5"	VSB24	2 Door Vanity Cabinet
27"		VSB27	2 Door Vanity Cabinet
30"		VSB30	2 Door Vanity Cabinet
33"		VSB33	2 Door Vanity Cabinet

2 DOOR & 2 DRAWER VANITY SINK BASE CABINETS - 21" DEEP

Width	Height	Part Number	Description
36"	34.5"	VSB36	2 Door & 2 Drawer Vanity Cabinet
39"		VSB39	2 Door & 2 Drawer Vanity Cabinet
42"		VSB42	2 Door & 2 Drawer Vanity Cabinet
48"		VSB48	2 Door & 2 Drawer Vanity Cabinet

1 DOOR & 1 DRAWER VANITY CABINETS - 21" DEEP

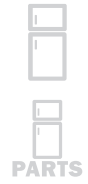
Width	Height	Part Number	Description
12"	34.5"	VB12	1 Door & 1 Drawer Vanity Cabinet
15"		VB15	1 Door & 1 Drawer Vanity Cabinet
18"		VB18	1 Door & 1 Drawer Vanity Cabinet

DRAWER VANITY CABINETS - 21" DEEP

Width	Height	Part Number	Description
12"	34.5"	VDB12	3 Drawer Vanity Cabinet
15"		VDB15	3 Drawer Vanity Cabinet
18"		VDB18	3 Drawer Vanity Cabinet
21"		VDB21	3 Drawer Vanity Cabinet
24"		VDB24	3 Drawer Vanity Cabinet

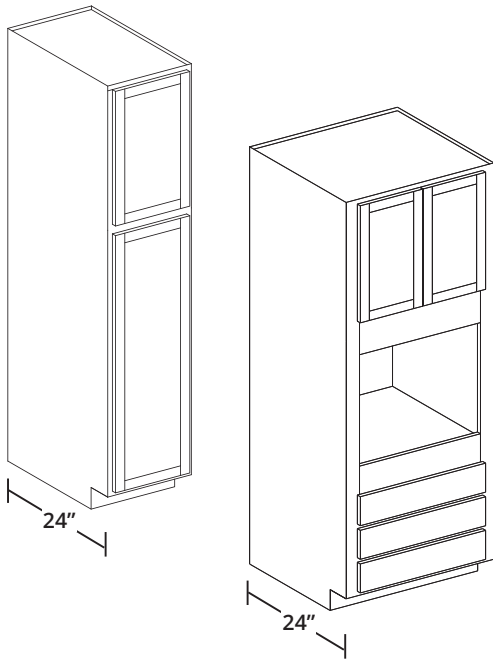
Note: The number of drawers available is based on the cabinet style.

New!



3 SELECT YOUR CABINET BOXES

TALL CABINETS



2 DOOR UTILITY CABINETS - 24" DEEP

Width	Height	Part Number	Description
18"	84"	U1884	2 Door Utility Cabinet
	90"	U1890	2 Door Utility Cabinet
	96"	U1896	2 Door Utility Cabinet

4 DOOR UTILITY CABINETS - 24" DEEP (Item NOT pictured)

Width	Height	Part Number	Description
24"	84"	U2484	4 Door Utility Cabinet
	90"	U2490	4 Door Utility Cabinet
	96"	U2496	4 Door Utility Cabinet

OVEN CABINETS - 24" DEEP

Width	Height	Part Number	Description
30"	84"	OC3084	2 Door, 3 Drawer Oven Cabinet
	90"	OC3090	2 Door, 3 Drawer Oven Cabinet
	96"	OC3096	2 Door, 3 Drawer Oven Cabinet

CABINET ACCESSORIES

Description	Part Number
18" x 24" Shelf Kit for 2 Door Utility Cabinet	U1824SHELFKIT
24" x 24" Shelf Kit for 4 Door Utility Cabinet	U2424SHELFKIT
3"x30" Filler	F330
6"x30" Filler	F630
3"x42" Filler	F342
6"x42" Filler	F642
3"x96" Filler	F396
6"x96" Filler	F696
48"x34" Finished End Panel (Veneer)	P4834
48"x96" Finished End Panel (Veneer)	P4896
11-1/4"x30"x1/8" Wall Skin	WSKIN30
11-1/4"x42"x1/8" Wall Skin	WSKIN42
23-1/4"x34-1/2"x1/8" Base Skin	BSKIN
Finished Refrigerator End Panel 23-13/16"x96" with 1-1/2" Stile	REFP24
Dishwasher End Panel w/ 3" Filler	DWP3
Small Crown Moulding 2-1/2"x8'	CROWNSM
Large Crown Moulding 4-1/2"x8'	CROWNLG
3/4" Inside Corner Moulding 8'	MICW
3/4" Outside Corner Moulding 8'	MOCW
3/4" Scribe Moulding 8'	MSW
3/4" Quarter Round Moulding 8'	MQR
4-1/2" Toe Kick 8'	TOEKICKT8
36" Vanity Undermount Drawer	VDT36
3/4" Batten Moulding 8'	MBAT
1-1/16" Light Rail Moulding 8'	MLR
Base End Panel	BEP

New!

